

## KLTOP Post Top LED Luminaires

KLTOP Post Top LED Luminaires feature a traditional decorative style to make it an excellent choice for new construction or retrofit applications. They provide a long LED life of 50,000 hours, include a 5 year warranty, and operate on electrical systems ranging from 100-277VAC and 200-480VAC, providing style and elegance to downtown areas, commercial developments, parks and residential communities.

### MOUNTING AND WIRING

Post top mounting 3-inch (76mm) OD held in place with three black square head set screws.

### ENVIRONMENTAL SYSTEM

ETL/cETL Listed for outdoor locations.

### ELECTRICAL SYSTEM

Integral high performance LED driver.

Universal input voltage 100-277VAC or 200-480VAC, 50/60Hz.

### OPTICAL SYSTEM

Structured LED array for optimized roadway/walkway photometric and distribution. Evolve light engine consisting of nested concentric directional reflectors designed to optimize application efficiency and minimize glare.

Utilizes high brightness LEDs, 70 CRI at 3000K and 4000K typical. LM-79 tests and reports are performed in accordance with IESNA standards.

### LIGHTING CONTROL

0-10V dimmable/photocell sensor options.



KLTOPB50



KLTOPA50



## Specifications:

ITEM	SPECIFICATION	KLTOPB50	KLTOPA50
GENERAL	Power Consumption(W)	50W	50W
	Lumens Delivered (lms)	5000lms	4800lms
	Efficacy (lm/W)	100lm/W	95lm/W
	Beam Angle	120(Type V ) /80*150 Degree (Type III)	120(Type V ) /80*150 Degree (Type III)
	CRI	>70	>70
PERFORMANCE	Color Temperature	3000k/4000K/5000K	3000K/4000K/5000K
	L70@25°C	>50,000hrs	>50,000hrs
	Input Voltage	100-277VAC /200-480VAC	100-277VAC /200-480VAC
	Power Factor	>0.9	>0.9
ELECTRICAL	Housing	Die cast aluminum with powder coat pain	Die cast aluminum with powder coat pain
	Lens	Glass(Slightly Frosted)	Polycarbonate
PHYSICAL	Installation	Post Top	Post Top
	Operating Temperature	-20°F to 104°F	-20°F to 104°F
	Environment	Outdoor, Wet locations	Outdoor, Wet locations
CERTIFICATION	Warranty	5 years	5 years
	Certification	ETL/cETL, DLC	ETL/cETL

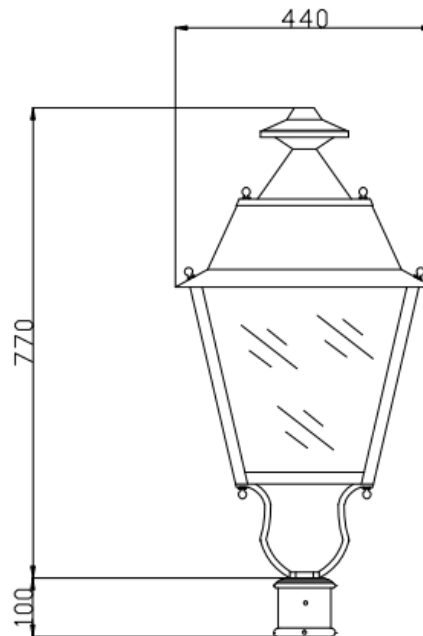
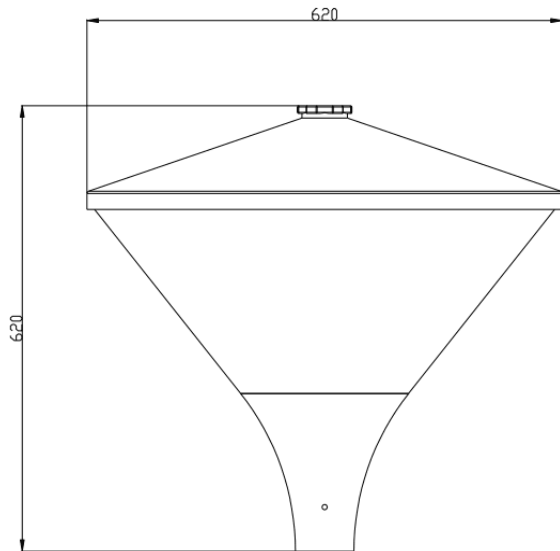
## Order Information:

Family	Wattage	Separator	CCT	Sensor	Label	Degree
<b>KLTOPA50, KLTOPB50:</b>	<b>50: 50W</b>	-	<b>30K: 3000K</b>	<b>S: No Sensor</b>	<b>0: Kili-LED Label</b>	<b>L: 120°</b>
Kili-LED 100-277VAC Post Top A, B type			<b>40K: 4000K</b>	<b>P: With sensor</b>	<b>1: Customized Label</b>	<b>S: 80*150°</b>
<b>KLHVTOPA50, KLHVTPB50:</b>			<b>50K: 5000K</b>			
Kili-LED 200-480VAC Post Top A, B Type						

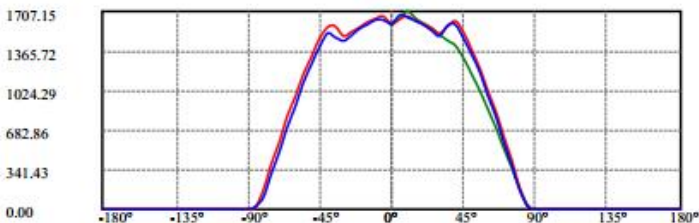
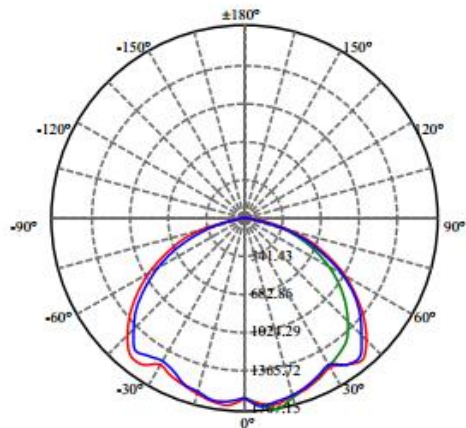
**KLTOPA50/KLHVTOPA50:** G/W: 7.20kgs (15.90lbs), Carton Dimension: 63cm\*63cm\*63cm /1pcs

**KLTOPB50/KLHVTPB50:** G/W: 5.80kgs (12.80lbs), Carton Dimension: 47cm\*47cm\*67cm /1pcs

## Dimension: (mm)



# Photometric:



C45(Max): ———  
 C0/C180: ———  
 C90/C270: ———

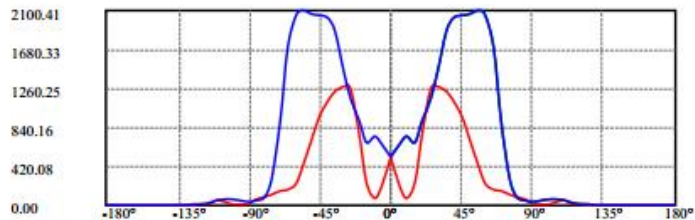
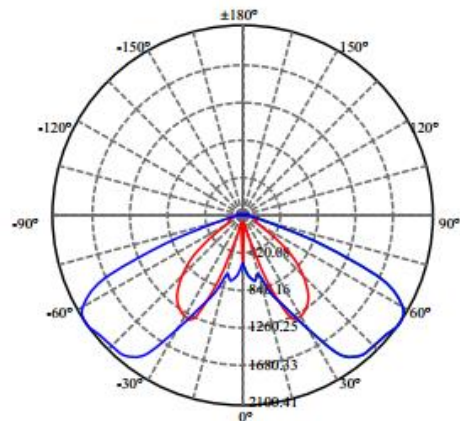
Field angle(10%Imax):C0/180Left:90.1 Right:70.9

:C90/270Left:83.5 Right:75.0

Beam Angle(50%Imax):C0/180Left:73.9 Right:55.1

:C90/270Left:66.5 Right:58.9

Type V Lens



C90(Max): ———  
 C0/C180: ———  
 C90/C270: ———

Field angle(10%Imax):C0/180Left:103.8 Right:43.8

:C90/270Left:132.2 Right:22.2

Beam Angle(50%Imax):C0/180Left:81.4 Right:21.4

:C90/270Left:124.2 Right:14.2

Type III Lens